

# Contenitori plastica - Plastic Housings

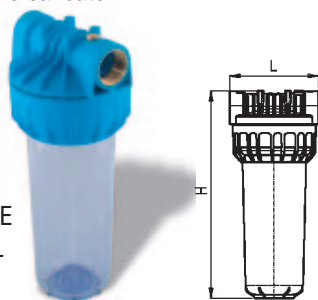
Contenitore ad uso domestico e tecnologico per il trattamento di acque potabili in generale a pH neutro.  
Housing for domestic and technological uses for treatment of drinking water with neutral pH.

## Caratteristiche Tecniche:

- Pressione max. d'esercizio 8 bar
- Temperatura min/max d'esercizio da 0°C a +30°C
- Inserti in ottone
- Testata e ghiera in polipropilene caricato
- Staffabile

## 3PAT-I

CON VASO IN SAN TRASPARENTE  
WITH TRANSPARENT SAN BOWL



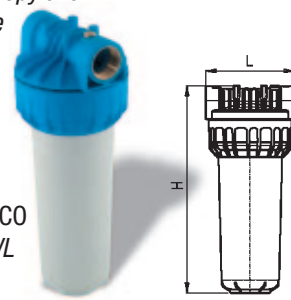
| Codice     | Modello | Attacchi | Lunghezza cartuccia | Dimensioni     | Portata      | Pezzi per confezione | Kg per confezione | volume m <sup>3</sup> |
|------------|---------|----------|---------------------|----------------|--------------|----------------------|-------------------|-----------------------|
| Code       | Model   | Connect. | Cartridge length    | Dimensions L H | Flowrate L/h | Pieces per packing   | Kg per packing    | volume m <sup>3</sup> |
| TIT0001205 | 3PAT-I  | 1/2"     | 5"                  | 125 195        | 6000         | 24                   | 20                | 0,112                 |
| TIT0001207 | 3PAT-I  | 1/2"     | 7"                  | 125 245        | 6000         | 12                   | 11                | 0,091                 |
| TIT0001209 | 3PAT-I  | 1/2"     | 9 3/4"              | 125 307        | 6000         | 12                   | 12                | 0,091                 |
| TIT0001220 | 3PAT-I  | 1/2"     | 20"                 | 125 588        | 6000         | 6                    | 12                | 0,110                 |
| TIT0003405 | 3PAT-I  | 3/4"     | 5"                  | 125 195        | 6500         | 24                   | 20                | 0,112                 |
| TIT0003407 | 3PAT-I  | 3/4"     | 7"                  | 125 245        | 6500         | 12                   | 11                | 0,091                 |
| TIT0003409 | 3PAT-I  | 3/4"     | 9 3/4"              | 125 307        | 6500         | 12                   | 12                | 0,091                 |
| TIT0003420 | 3PAT-I  | 3/4"     | 20"                 | 125 588        | 6500         | 6                    | 13                | 0,110                 |
| TIT0010005 | 3PAT-I  | 1"       | 5"                  | 125 195        | 7000         | 24                   | 20                | 0,112                 |
| TIT0010007 | 3PAT-I  | 1"       | 7"                  | 125 245        | 7000         | 12                   | 11                | 0,091                 |
| TIT0010009 | 3PAT-I  | 1"       | 9 3/4"              | 125 307        | 7000         | 12                   | 12                | 0,091                 |
| TIT0010020 | 3PAT-I  | 1"       | 20"                 | 125 588        | 7000         | 6                    | 13                | 0,110                 |
| TIT0011405 | 3PAT-I  | 1 1/4"   | 5"                  | 125 195        | 13000        | 24                   | 20                | 0,112                 |
| TIT0011407 | 3PAT-I  | 1 1/4"   | 7"                  | 125 245        | 13000        | 12                   | 11                | 0,091                 |
| TIT0011409 | 3PAT-I  | 1 1/4"   | 9 3/4"              | 125 307        | 13000        | 12                   | 12                | 0,091                 |
| TIT0011420 | 3PAT-I  | 1 1/4"   | 20"                 | 125 588        | 13000        | 6                    | 12                | 0,110                 |
| TIT0011205 | 3PAT-I  | 1 1/2"   | 5"                  | 125 195        | 13000        | 24                   | 20                | 0,112                 |
| TIT0011207 | 3PAT-I  | 1 1/2"   | 7"                  | 125 245        | 13000        | 12                   | 11                | 0,091                 |
| TIT0011209 | 3PAT-I  | 1 1/2"   | 9 3/4"              | 125 307        | 13000        | 12                   | 12                | 0,091                 |
| TIT0011220 | 3PAT-I  | 1 1/2"   | 20"                 | 125 588        | 13000        | 6                    | 12                | 0,110                 |

## Technical Features:

- Max. working pressure 8 bar
- Min/max. working temperature 0°C / +30°C
- Brass inserts
- Head and ring made of filled polypropylene
- Possibility to equip with wall bracke

## 3PAO-I

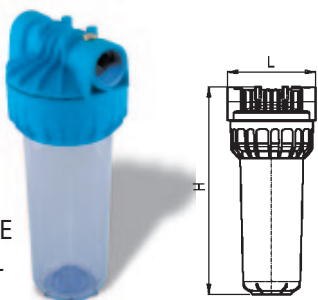
CON VASO IN POLIPROPILENE BIANCO  
WITH WHITE POLYPROPYLENE BOWL



| Codice     | Modello | Attacchi | Lunghezza cartuccia | Dimensioni     | Portata      | Pezzi per confezione | Kg per confezione | volume m <sup>3</sup> |
|------------|---------|----------|---------------------|----------------|--------------|----------------------|-------------------|-----------------------|
| Code       | Model   | Connect. | Cartridge length    | Dimensions L H | Flowrate L/h | Pieces per packing   | Kg per packing    | volume m <sup>3</sup> |
| TIO0001205 | 3PAO-I  | 1/2"     | 5"                  | 125 195        | 6000         | 24                   | 20                | 0,112                 |
| TIO0001207 | 3PAO-I  | 1/2"     | 7"                  | 125 245        | 6000         | 12                   | 11                | 0,091                 |
| TIO0001209 | 3PAO-I  | 1/2"     | 9 3/4"              | 125 307        | 6000         | 12                   | 12                | 0,091                 |
| TIO0001220 | 3PAO-I  | 1/2"     | 20"                 | 125 588        | 6000         | 6                    | 12                | 0,110                 |
| TIO0003405 | 3PAO-I  | 3/4"     | 5"                  | 125 195        | 6500         | 24                   | 20                | 0,112                 |
| TIO0003407 | 3PAO-I  | 3/4"     | 7"                  | 125 245        | 6500         | 12                   | 11                | 0,091                 |
| TIO0003409 | 3PAO-I  | 3/4"     | 9 3/4"              | 125 307        | 6500         | 12                   | 12                | 0,091                 |
| TIO0003420 | 3PAO-I  | 3/4"     | 20"                 | 125 588        | 6500         | 6                    | 13                | 0,110                 |
| TIO0010005 | 3PAO-I  | 1"       | 5"                  | 125 195        | 7000         | 24                   | 20                | 0,112                 |
| TIO0010007 | 3PAO-I  | 1"       | 7"                  | 125 245        | 7000         | 12                   | 11                | 0,091                 |
| TIO0010009 | 3PAO-I  | 1"       | 9 3/4"              | 125 307        | 7000         | 12                   | 12                | 0,091                 |
| TIO0010020 | 3PAO-I  | 1"       | 20"                 | 125 588        | 7000         | 6                    | 13                | 0,110                 |
| TIO0011405 | 3PAO-I  | 1 1/4"   | 5"                  | 125 195        | 13000        | 24                   | 20                | 0,112                 |
| TIO0011407 | 3PAO-I  | 1 1/4"   | 7"                  | 125 245        | 13000        | 12                   | 11                | 0,091                 |
| TIO0011409 | 3PAO-I  | 1 1/4"   | 9 3/4"              | 125 307        | 13000        | 12                   | 12                | 0,091                 |
| TIO0011420 | 3PAO-I  | 1 1/4"   | 20"                 | 125 588        | 13000        | 6                    | 12                | 0,110                 |
| TIO0011205 | 3PAO-I  | 1 1/2"   | 5"                  | 125 195        | 13000        | 24                   | 20                | 0,112                 |
| TIO0011207 | 3PAO-I  | 1 1/2"   | 7"                  | 125 245        | 13000        | 12                   | 11                | 0,091                 |
| TIO0011209 | 3PAO-I  | 1 1/2"   | 9 3/4"              | 125 307        | 13000        | 12                   | 12                | 0,091                 |
| TIO0011220 | 3PAO-I  | 1 1/2"   | 20"                 | 125 588        | 13000        | 6                    | 12                | 0,110                 |

## 3PAT-S

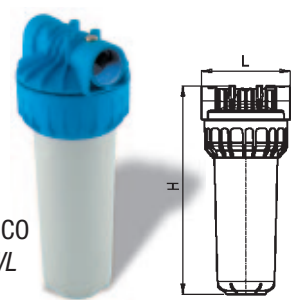
CON VASO IN SAN TRASPARENTE  
WITH TRANSPARENT SAN BOWL



| Codice     | Modello | Attacchi | Lunghezza cartuccia | Dimensioni     | Portata      | Pezzi per confezione | Kg per confezione | volume m <sup>3</sup> |
|------------|---------|----------|---------------------|----------------|--------------|----------------------|-------------------|-----------------------|
| Code       | Model   | Connect. | Cartridge length    | Dimensions L H | Flowrate L/h | Pieces per packing   | Kg per packing    | volume m <sup>3</sup> |
| TST0001405 | 3PAT-S  | 1/4"     | 5"                  | 125 195        | 1500         | 24                   | 20                | 0,112                 |
| TST0001407 | 3PAT-S  | 1/4"     | 7"                  | 125 245        | 1500         | 12                   | 11                | 0,091                 |
| TST0001409 | 3PAT-S  | 1/4"     | 9 3/4"              | 125 307        | 1500         | 12                   | 12                | 0,091                 |
| TST0001420 | 3PAT-S  | 1/4"     | 20"                 | 125 588        | 1500         | 6                    | 12                | 0,110                 |
| TST0003805 | 3PAT-S  | 3/8"     | 5"                  | 125 195        | 5000         | 24                   | 20                | 0,112                 |
| TST0003807 | 3PAT-S  | 3/8"     | 7"                  | 125 245        | 5000         | 12                   | 11                | 0,091                 |
| TST0003809 | 3PAT-S  | 3/8"     | 9 3/4"              | 125 307        | 5000         | 12                   | 12                | 0,091                 |
| TST0003820 | 3PAT-S  | 3/8"     | 20"                 | 125 588        | 5000         | 6                    | 12                | 0,110                 |
| TST0001205 | 3PAT-S  | 1/2"     | 5"                  | 125 195        | 6000         | 24                   | 20                | 0,112                 |
| TST0001207 | 3PAT-S  | 1/2"     | 7"                  | 125 245        | 6000         | 12                   | 11                | 0,091                 |
| TST0001209 | 3PAT-S  | 1/2"     | 9 3/4"              | 125 307        | 6000         | 12                   | 12                | 0,091                 |
| TST0001220 | 3PAT-S  | 1/2"     | 20"                 | 125 588        | 6000         | 6                    | 12                | 0,110                 |
| TST0003405 | 3PAT-S  | 3/4"     | 5"                  | 125 195        | 6500         | 24                   | 20                | 0,112                 |
| TST0003407 | 3PAT-S  | 3/4"     | 7"                  | 125 245        | 6500         | 12                   | 11                | 0,091                 |
| TST0003409 | 3PAT-S  | 3/4"     | 9 3/4"              | 125 307        | 6500         | 12                   | 12                | 0,091                 |
| TST0003420 | 3PAT-S  | 3/4"     | 20"                 | 125 588        | 6500         | 6                    | 13                | 0,110                 |
| TST0010005 | 3PAT-S  | 1"       | 5"                  | 125 195        | 7000         | 24                   | 20                | 0,112                 |
| TST0010007 | 3PAT-S  | 1"       | 7"                  | 125 245        | 7000         | 12                   | 11                | 0,091                 |
| TST0010009 | 3PAT-S  | 1"       | 9 3/4"              | 125 307        | 7000         | 12                   | 12                | 0,091                 |
| TST0010020 | 3PAT-S  | 1"       | 20"                 | 125 588        | 7000         | 6                    | 13                | 0,110                 |

## 3PAO-S

CON VASO IN POLIPROPILENE BIANCO  
WITH WHITE POLYPROPYLENE BOWL



| Codice     | Modello | Attacchi | Lunghezza cartuccia | Dimensioni     | Portata      | Pezzi per confezione | Kg per confezione | volume m <sup>3</sup> |
|------------|---------|----------|---------------------|----------------|--------------|----------------------|-------------------|-----------------------|
| Code       | Model   | Connect. | Cartridge length    | Dimensions L H | Flowrate L/h | Pieces per packing   | Kg per packing    | volume m <sup>3</sup> |
| TSO0001405 | 3PAO-S  | 1/4"     | 5"                  | 125 195        | 1500         | 24                   | 20                | 0,112                 |
| TSO0001407 | 3PAO-S  | 1/4"     | 7"                  | 125 245        | 1500         | 12                   | 11                | 0,091                 |
| TSO0001409 | 3PAO-S  | 1/4"     | 9 3/4"              | 125 307        | 1500         | 12                   | 12                | 0,091                 |
| TSO0001420 | 3PAO-S  | 1/4"     | 20"                 | 125 588        | 1500         | 6                    | 12                | 0,110                 |
| TSO0003805 | 3PAO-S  | 3/8"     | 5"                  | 125 195        | 5000         | 24                   | 20                | 0,112                 |
| TSO0003807 | 3PAO-S  | 3/8"     | 7"                  | 125 245        | 5000         | 12                   | 11                | 0,091                 |
| TSO0003809 | 3PAO-S  | 3/8"     | 9 3/4"              | 125 307        | 5000         | 12                   | 12                | 0,091                 |
| TSO0003820 | 3PAO-S  | 3/8"     | 20"                 | 125 588        | 5000         | 6                    | 12                | 0,110                 |
| TSO0001205 | 3PAO-S  | 1/2"     | 5"                  | 125 195        | 6000         | 24                   | 20                | 0,112                 |
| TSO0001207 | 3PAO-S  | 1/2"     | 7"                  | 125 245        | 6000         | 12                   | 11                | 0,091                 |
| TSO0001209 | 3PAO-S  | 1/2"     | 9 3/4"              | 125 307        | 6000         | 12                   | 12                | 0,091                 |
| TSO0001220 | 3PAO-S  | 1/2"     | 20"                 | 125 588        | 6000         | 6                    | 12                | 0,110                 |
| TSO0003405 | 3PAO-S  | 3/4"     | 5"                  | 125 195        | 6500         | 24                   | 20                | 0,112                 |
| TSO0003407 | 3PAO-S  | 3/4"     | 7"                  | 125 245        | 6500         | 12                   | 11                | 0,091                 |
| TSO0003409 | 3PAO-S  | 3/4"     | 9 3/4"              | 125 307        | 6500         | 12                   | 12                | 0,091                 |
| TSO0003420 | 3PAO-S  | 3/4"     | 20"                 | 125 588        | 6500         | 6                    | 13                | 0,110                 |
| TSO0010005 | 3PAO-S  | 1"       | 5"                  | 125 195        | 7000         | 24                   | 20                | 0,112                 |
| TSO0010007 | 3PAO-S  | 1"       | 7"                  | 125 245        | 7000         | 12                   | 11                | 0,091                 |
| TSO0010009 | 3PAO-S  | 1"       | 9 3/4"              | 125 307        | 7000         | 12                   | 12                | 0,091                 |
| TSO0010020 | 3PAO-S  | 1"       | 20"                 | 125 588        | 7000         | 6                    | 13                | 0,110                 |